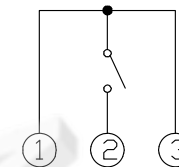
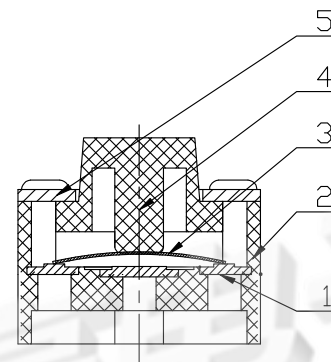
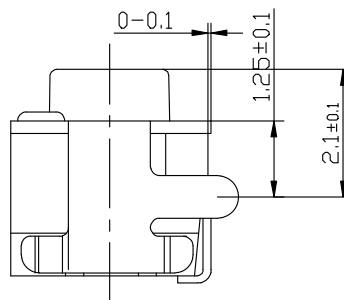
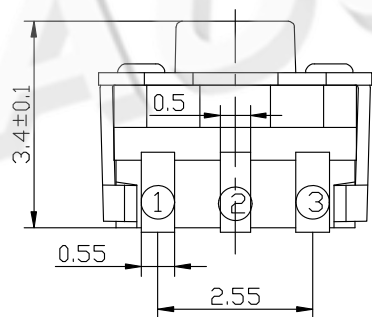


安装参考图



电路图



主要技术规格:

1. 额定值: 50mA DC12V
2. 接触电阻: 100mΩ
3. 操作力: 160/260gf±50gf
4. 行程: 0.25±0.1mm
5. 绝缘电阻: 100MΩ
6. 抗电强度: 250V 50HZ 1Min.
7. 寿命: 10<sup>5</sup>Cycles

材料:

- ② 本体: LCP (黑色)
- ④ 按钮: LCP (白色)
- ① 接触脚: 磷铜 (镀银)
- ③ 弹片: 不锈钢 (复银)
- ⑤ 盖板: 磷铜 (镀银)

DONGGUAN AUGO ELECTRONICS CO.,LTD.

COPYRIGHT RESERVED,PLEASE DO NOT COPY.

PART NAME		SWITCH		DRAWING	Y,C,ZHANG	DWG.No.	SBICL
PART NO.		AUGO-TD-604XA		CHECK	G.C.Chen	REV.	A1
UNIT : mm	TOLERANCE	UP TO 5	±0.2	APPROVAL	SCALE	DATE	14-03-2013
	OTHERWISE	ABOVE 5 30 ~	±0.3				
		ABOVE 30	±0.5			PAGE	1 OF 1
		ANGLE	±3°				