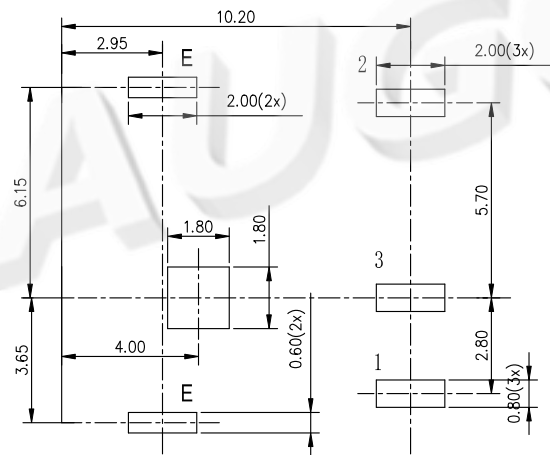
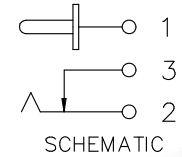
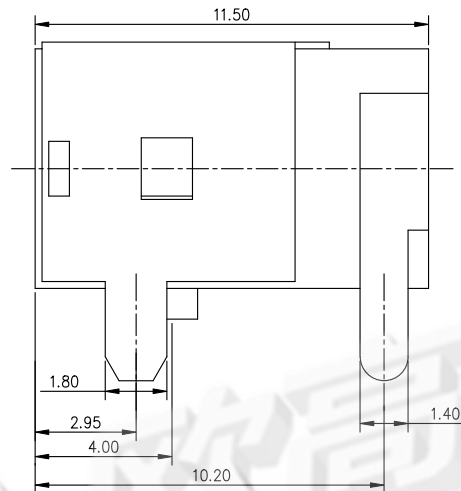
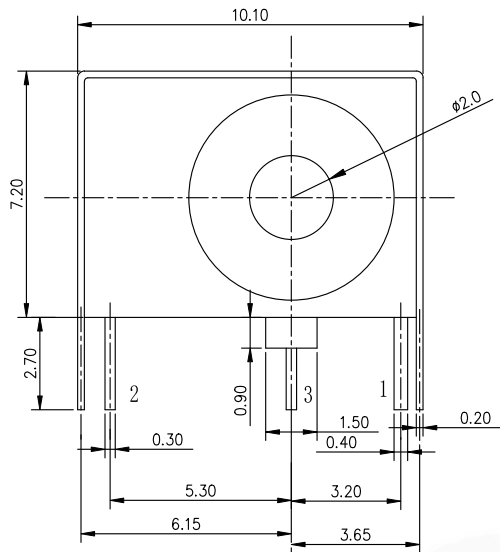


RoHS
Compliant

SYMBOL	REVISION	APPROVAL	DATE



P.C.B LAYOUT
TOP VIEW

6	TERMINAL	C2680	1	Ag PLATED
5	SHIELD	BRASS	1	Ni PLATED
4	SPRING TERMINAL	C5210	1	Ag PLATED
3	TERMINAL	BRASS	1	Sn PLATED
2	PIN	BRASS	1	Ni PLATED
1	HOUSING	PBT	1	BLACK
NO.	PARTS	MATERIAL	QTY.	FINISHING

DONGGUAN AUGO ELECTRONICS CO.,LTD.

COPYRIGHT RESERVED,PLEASE DO NOT COPY.

PART NAME		DC JACK		DRAWING		Y.C.ZHANG		DWG.No.		Robin	
PART NO.		DS-044B-20		CHECK		G.C.Chen		REV.		A	
	UNIT :	TOLERANCE	OTHERWISE	UP TO 5 ±0.2 ABOVE 5 30 ±0.3 ABOVE 30 ±0.5 ANGLE ±3°	ANGLE	APPROVAL		DATE		2018-12-10	
	mm					SCALE		PAGE		1 OF 1	
				2:1							