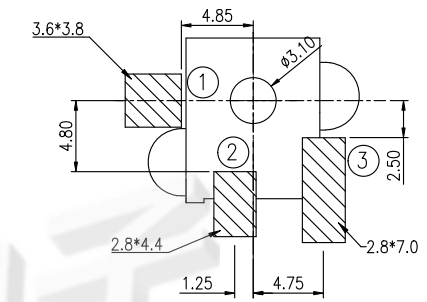
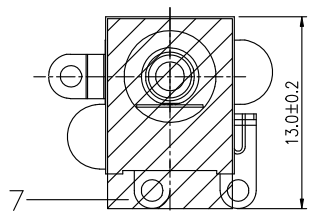
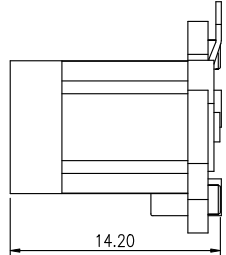
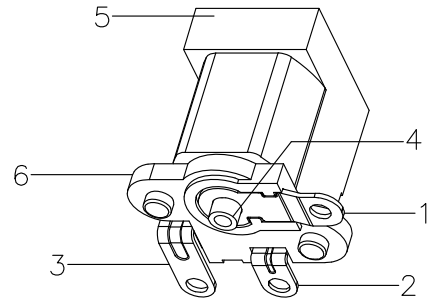


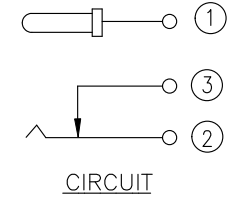
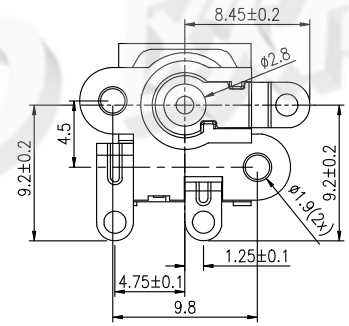
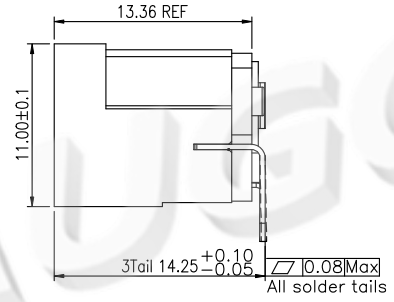
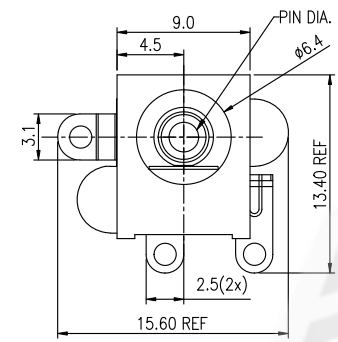
PIN DIA.=2.0mm

RoHS
Compliant

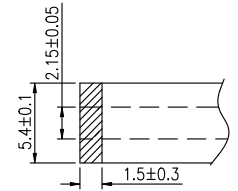
SYMBOL	REVISION	APPROVAL	DATE



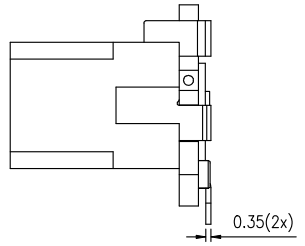
PCB LAYOUT TOP VIEW



CIRCUIT



MATE PLUG



7	MYLAR	POLYIMIDE FILM	1	NATURAL
6	COVER	HIGH TEMP PLASTIC	1	BLACK
5	HOUSING	HIGH TEMP PLASTIC	1	BLACK
4	PIN	COPPER ALLOY	1	Ni PLATED
3	TERMINAL	COPPER ALLOY	1	Ag PLATED
2	TERMINAL	COPPER ALLOY	1	Ag PLATED
1	TERMINAL	COPPER ALLOY	1	Ag PLATED
NO.	PARTS	MATERIAL	QTY.	FINISHING

DONGGUAN AUGO ELECTRONICS CO.,LTD.

COPYRIGHT RESERVED,PLEASE DO NOT COPY.

PART NAME		DC POWER JACK		DRAWING		y.c.zhang		DWG.No.		Robin	
PART NO.		DS-099-20		CHECK		G.C.Chen		REV.		A	
UNIT :	TOLERANCE OTHERWISE	UP TO 5	±0.2	ANGLE	APPROVAL	DATE		2016-07-01			
		ABOVE 5 30	±0.3			PAGE		1 OF 1			
mm		ABOVE 30	±0.5	0°±3'	SCALE	2:1					