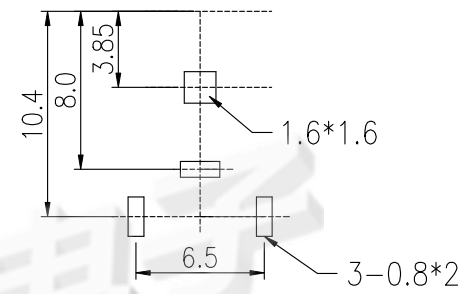
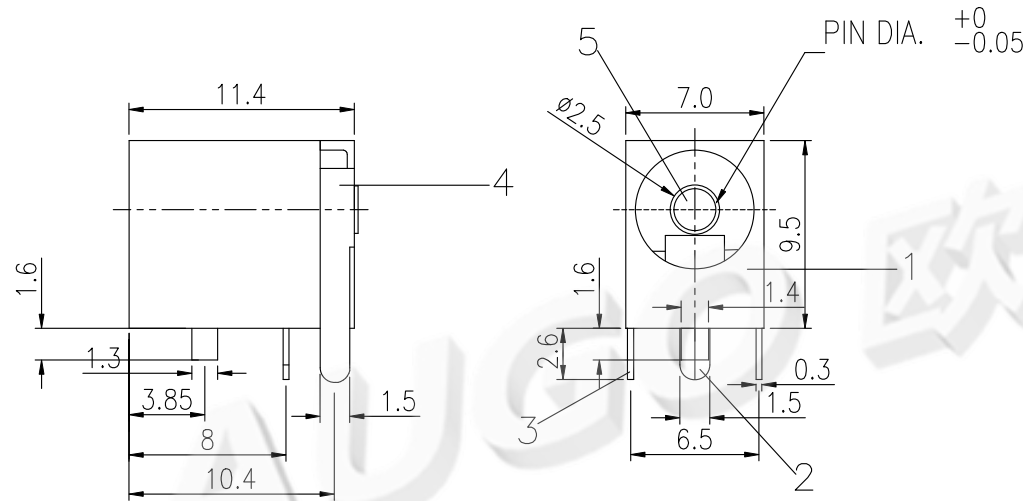


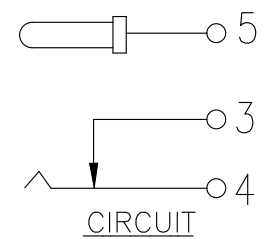
PIN DIA.=2.50

RoHS  
Compliant

SYMBOL	REVISION	APPROVAL	DATE



P.C.B LAYOUT  
TOP VIEW



5	PIN	BRASS BAR	1	Sn PLATED
4	BREAK TERMINAL	BRASS STRIP	1	Sn PLATED
3	SLEEVE TERMINAL	BRASS STRIP	1	Sn PLATED
2	SPRING TERMINAL	PHOSPHOR BRONZE	1	Sn PLATED
1	CASE	PBT	1	BLACK
NO.	PARTS	MATERIAL	QTY.	FINISHING

DONGGUAN AUGO ELECTRONICS CO.,LTD.

COPYRIGHT RESERVED,PLEASE DO NOT COPY.

PART NAME		DC POWER JACK		DRAWING	Y.C.Zhang	DWG.No.	Robin
PART NO.		DS-116-25		CHECK	G.C.Chen	REV.	A
	UNIT :	TOLERANCE	UP TO 5	±0.2	APPROVAL	DATE	2020-10-12
	mm	OTHERWISE	ABOVE 5 30	±0.3		SCALE	PAGE
			ABOVE 30	±0.5			
			ANGLE	±3'			
				0'±3'			