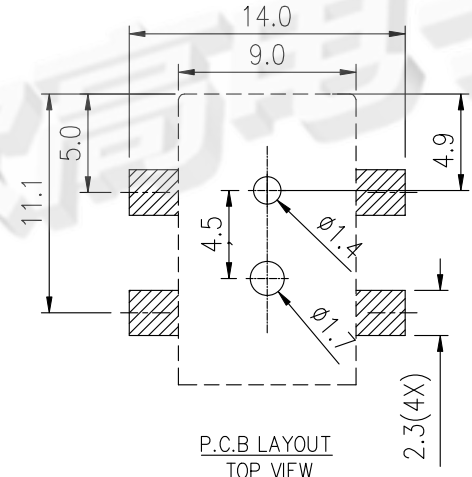
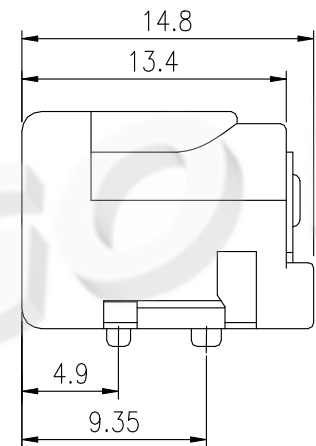
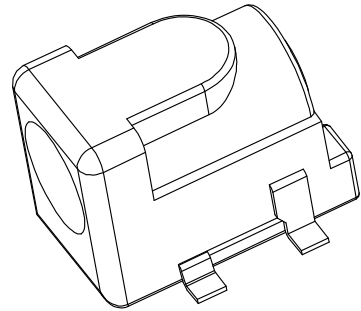
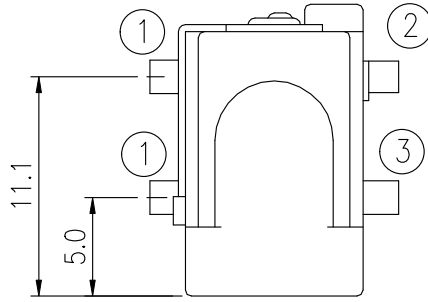


PIN DIA.=2.0

RoHS
Compliant

SYMBOL	REVISION	APPROVAL	DATE



1

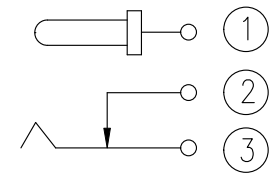
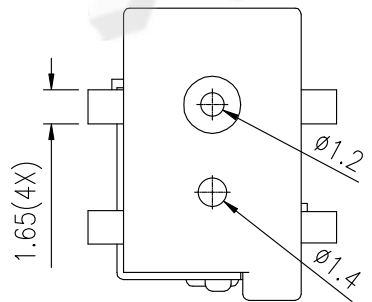
1

2

2

3

3



6	PIN	C3604	1	Ag PLATED
5	BREAK TERMINAL	C5210	1	Ag PLATED
4	SLEEVE TERMINAL	BRASS STRIP	1	Ag PLATED
3	SPRING TERMINAL	C2680	1	Ag PLATED
2	CASE	PPA	1	BLACK
1	HOUSING	PPA	1	BLACK
NO.	PARTS	MATERIAL	QTY.	FINISHING

4

4

DONGGUAN AUGO ELECTRONICS CO.,LTD.

PART NAME		DC POWER JACK		DRAWING	Y.C.Zhang	DWG.No.	Robin
PART NO.		DS-120		CHECK	G.C.Chen	REV.	A
UNIT : mm	TOLERANCE	UP TO 5	±0.2	APPROVAL	DATE	2018-10-13	PAGE
	OTHERWISE	ABOVE 5 30	±0.3				
		ABOVE 30	±0.5				
		ANGLE	±3°				

COPYRIGHT RESERVED,PLEASE DO NOT COPY.

F

E

D

C

B

A