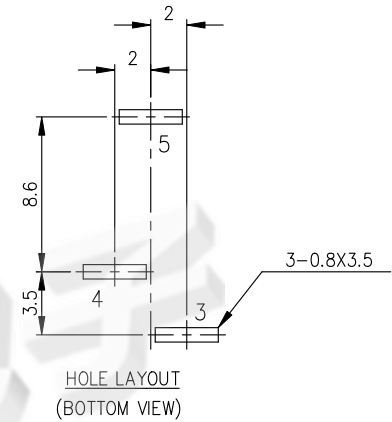
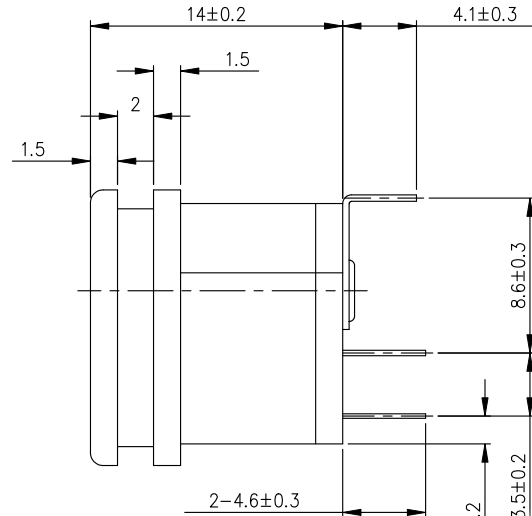
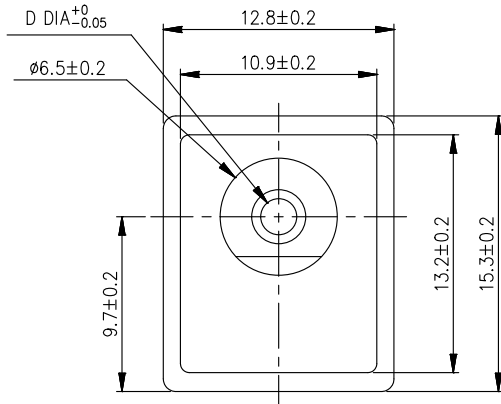


PIN DIA.=2.5

RoHS  
Compliant

SYMBOL	REVISION	APPROVAL	DATE

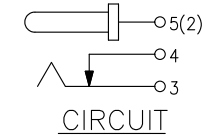
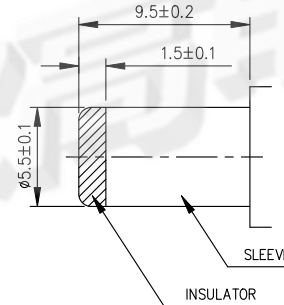
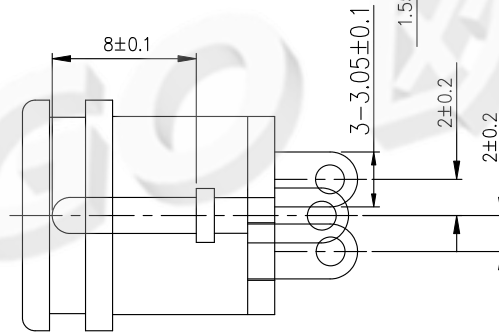
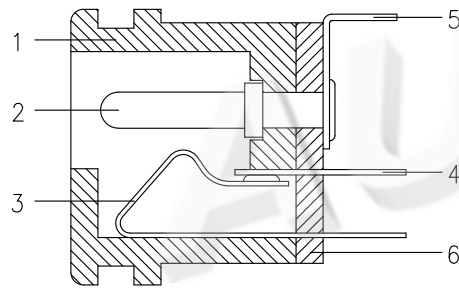
1



2

2

3



3

4

4

6	COVER	PBT 94V0	1	BLACK
5	PIN TERMINAL	BRASS	1	Ag PLATED
4	EARTH TERMINAL	BRASS	1	Ag PLATED
3	SLEEVE TERMINAL	PHOSPHOR BRONZE	1	Ag PLATED
2	PIN	BRASS BAR	1	Ni PLATED
1	HOUSING	PBT 94V0	1	BLACK
NO.	PARTS	MATERIAL	QTY.	FINISHING

DONGGUAN AUGO ELECTRONICS CO.,LTD.

COPYRIGHT RESERVED,PLEASE DO NOT COPY.

PART NAME		DC POWER JACK		DRAWING		y.c.zhang		DWG.No.		Robin	
PART NO.		DS-207-25		CHECK		G.C.Chen		REV.		A	
UNIT :	mm	TOLERANCE OTHERWISE	UP TO 5	±0.2	ANGLE	APPROVAL	SCALE	DATE	PAGE	1 OF 1	
			ABOVE 5 30	±0.3							0°±3'
			ABOVE 30	±0.5			3:1				
			ANGLE	±3'							

F

E

D

C

B

A