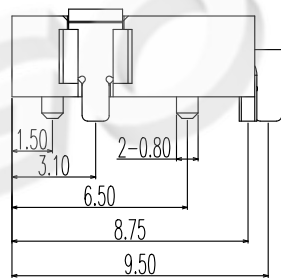
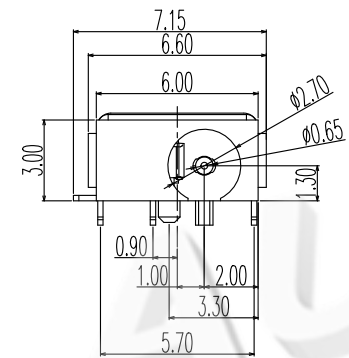
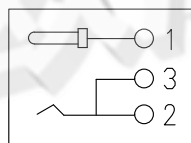


P.C.B LAYOUT
TOP VIEW



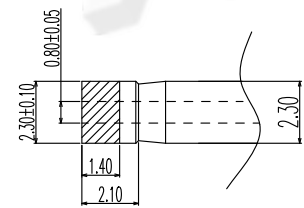
3D VIEW



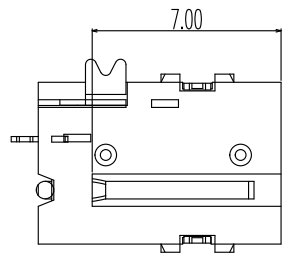
SCHEMATIC

NOTES:

1. CONTACT CURRENT RATING: 1A.
2. CONTACT RESISTANCE: 50 mΩ MAX.;
3. INSULATION RESISTANCE: 1000Ω MIN.;
4. DIELECTRIC WITHSTANDING: 500V AC MIN.;
5. DURABILITY: 5,000 CYCLES MIN.;
6. CONNECTOR MATING FORCES: 29.4N (3.00Kgf) MAX.;
7. CONNECTOR UNMATING FORCES: 2.94N(0.30Kgf) MIN.;



(DC PLUG)



⑤	HOUSING	1	PPA		Black
④	CONTACT D	1	BRASS t=0.30	Au-Plated	
③	CONTACT C	1	BRASS t=0.20	Au-Plated	
②	CONTACT B	1	PHOSPHOR BRONZE t=0.20	Au-Plated	
①	CONTACT A	1	BRASS $\phi 1.3$	Au-Plated	
ITEM	PART NAME	Q'TY	MATERIAL	DESCRIPTION	REMARK

DONGGUAN AUGO ELECTRONICS CO.,LTD.

COPYRIGHT RESERVED,PLEASE DO NOT COPY.

PART NAME		DC POWER JACK		DRAWING	Y,C,ZHANG	DWG.No.	Robin
PART NO.		DS-030P		CHECK	G.C.Chen	REV.	A1
UNIT :	TOLERANCE OTHERWISE	UP TO 5	±0.2	ANGLE	APPROVAL	DATE	14-03-2013
		ABOVE 5 30	±0.3				
mm		ABOVE 30	±0.5	SCALE	2:1	PAGE	1 OF 1
		ANGLE	±3'				