

F

E

D

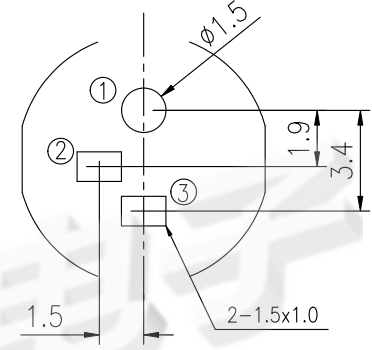
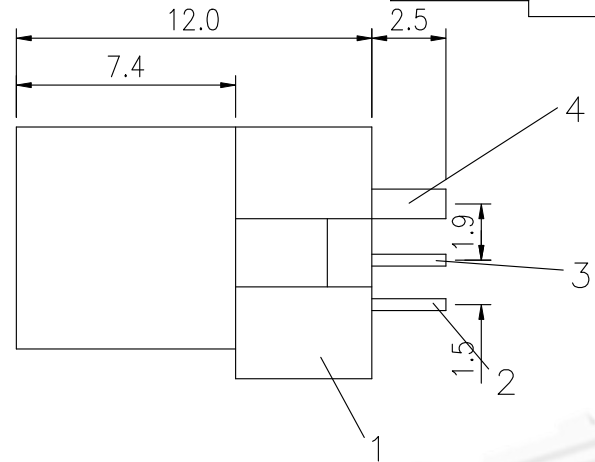
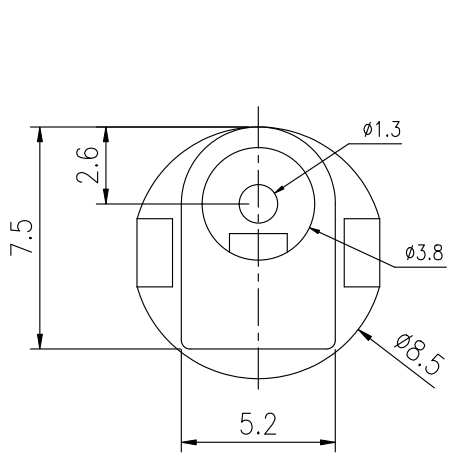
C

B

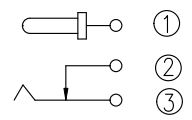
A

RoHS
Compliant

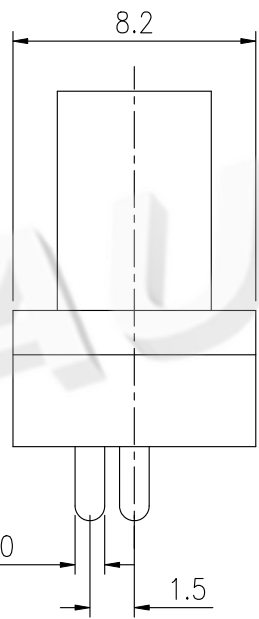
SYMBOL	REVISION	APPROVAL	DATE



P.C.B LAYOUT
TOP VIEW



CIRCUIT



4	PIN	C3604	1	Au PLATED
3	TERMINAL 3	C2680	1	Au PLATED
2	TERMINAL 2	C5210	1	Au PLATED
1	HOUSING	PA66	1	BLACK
NO.	PARTS	MATERIAL	QTY.	FINISHING

DONGGUAN AUGO ELECTRONICS CO.,LTD.

PART NAME		DC POWER JACK		DRAWING		M.M.Zhang		DWG.No.		Robin		
PART NO.		DS-097-13		CHECK		G.C.Chen		REV.		A		
UNIT :	mm	TOLERANCE OTHERWISE	UP TO 5	±0.2	ANGLE	APPROVAL		DATE		2016-07-01		
			ABOVE 5 30	±0.3		SCALE		PAGE		1 OF 1		
			ABOVE 30	±0.5	0°±3'	2:1		2:1				
			ANGLE	±3'								

COPYRIGHT RESERVED,PLEASE DO NOT COPY.

F

E

D

C

B

A