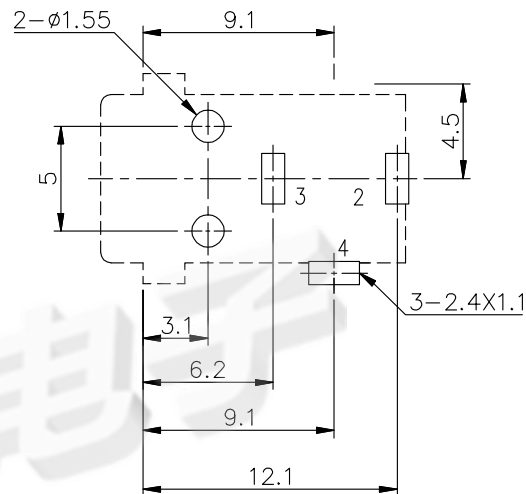
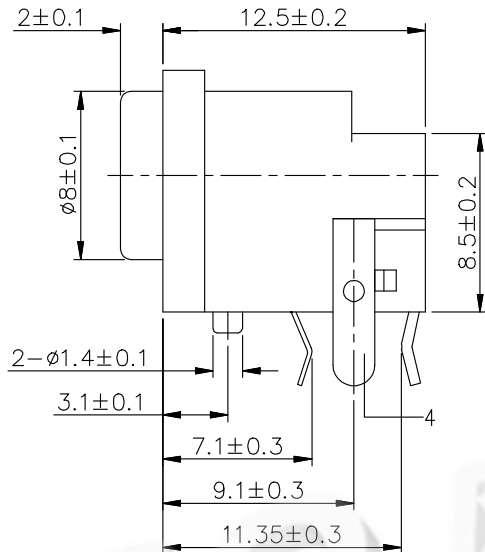
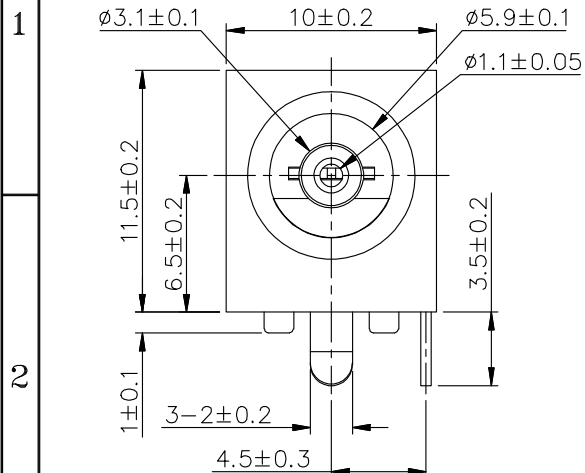
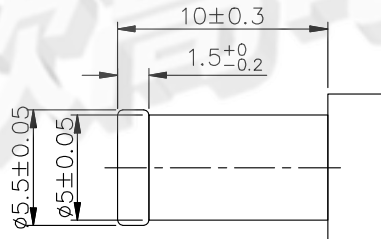
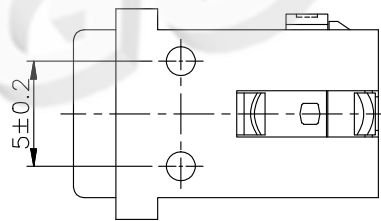
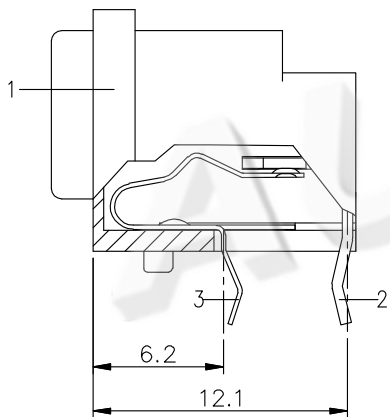


RoHS  
Compliant

SYMBOL	REVISION	APPROVAL	DATE



P.C.B LAYOUT



MATE PLUG

HOUSING COLOR	
YELLOW	DS-231-2
BLACK	DS-231-1

NO.	PARTS	MATERIAL	QTY.	FINISHING
4	BREAK TERMINAL	BRASS	1	Ag PLATED
3	SLEEVE TERMINAL	ALLOY SPRING	1	Ag PLATED
2	EARTH TERMINAL	BRASS	1	Ag PLATED
1	HOUSING	PBT	1	BLACK

DONGGUAN AUGO ELECTRONICS CO.,LTD.

COPYRIGHT RESERVED,PLEASE DO NOT COPY.

PART NAME		DC POWER JACK		DRAWING		G.C.Chen		DWG.No.	
PART NO.		DS-231		CHECK		G.C.Chen		REV. A	
UNIT :		TOLERANCE		APPROVAL		DATE		PAGE	
mm		OTHERWISE		SCALE		3:1		1 OF 1	
		UP TO 5 ±0.2							
		ABOVE 5 30 ±0.3							
		ABOVE 30 ±0.5							
		ANGLE ±3'							