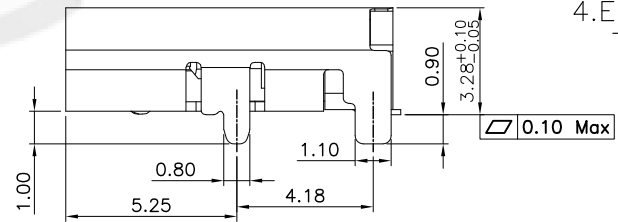
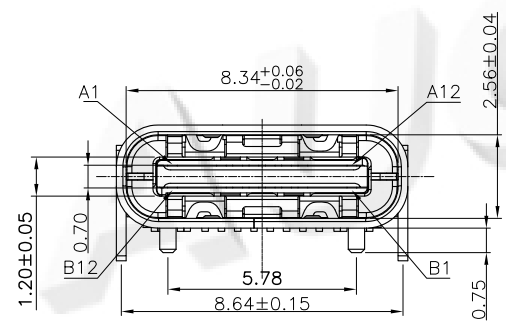


NOTES:

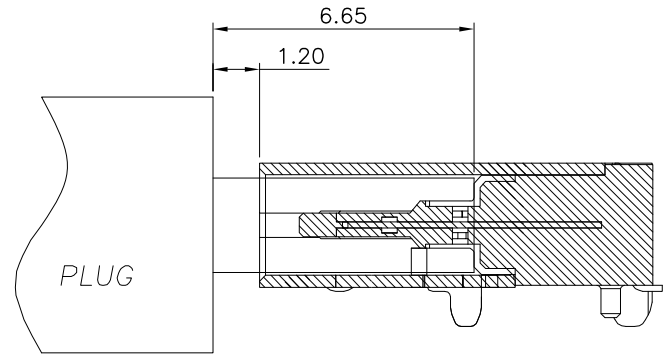
- 1.MATERIAL:  
MOLDING: LCP UL94 V-0  
CONTACT: COPPER ALLOY.  
GOLD PLATED Min ON CONTACT AREA, 100u"  
Min TIN (LEAD FREE) ON SOLDER AREA,  
SHELL: SUS304-H, T=0.20±0.03mm  
50u" NICKEL PLATING OVER ALL.  
SHILD: SUS304-H, T=0.30±0.03mm
- 2.MECHANICAL:  
INSERTION: 5~20N.  
EXTRACTION: 8~20N AFTER TEST.  
DURABILITY: 10000 CYCLES
- 3.ELECTRICAL:  
CURRENT: 5A FOR VBUS;  
1.25A FOR GND PIN.  
0.25A FOR OTHER.  
VOLTAGE: 20 V MAX  
WITHSTANDING VOLTAGE: 100V AC R.M.S.  
CONTACT RESISTANCE: 40mΩ MAX.  
INSULATION RESISTANCE: 100MΩ MIN.
- 4.ENVIRONMENTAL  
TEMPERATURE RANGE -25°C ~ +85°C



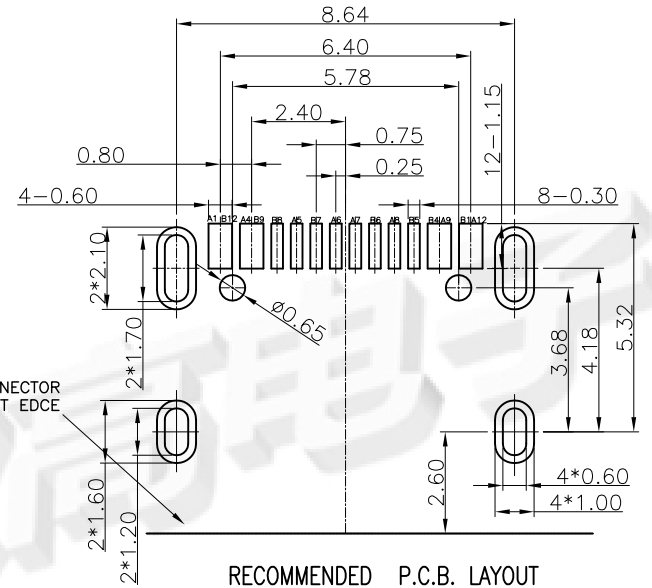
DONGGUAN AUGO ELECTRONICS CO.,LTD.

COPYRIGHT RESERVED, PLEASE DO NOT COPY.

|              |           |                                 |       |          |           |         |
|--------------|-----------|---------------------------------|-------|----------|-----------|---------|
| PART NAME    |           | CONNECTOR                       |       | DRAWING  | Y,C,ZHANG | DWG.No. |
| PART NO.     |           | TYPE C 一體成型母座 单排 16PIN L=10.0mm |       | CHECK    | G.C.Chen  | REV. A1 |
| UNIT :<br>mm | TOLERANCE | UP TO 5 ±0.2                    | ANGLE | APPROVAL | DATE      |         |
|              | OTHERWISE | ABOVE 5 ~ 30 ±0.3               |       | SCALE    | 2:1       | PAGE    |



AFTER MATING



RECOMMENDED P.C.B. LAYOUT  
TOLERANCE UNSPECIFIED  $\pm 0.05\text{mm}$

USB TYPE-C PIN ASSIGNMENTS

| PIN NUMBER | SIGNAL NAME | PIN NUMBER | SIGNAL NAME |
|------------|-------------|------------|-------------|
| A1         | GND         | B12        | GND         |
| A4         | VBUS        | B9         | VBUS        |
| A5         | CC1         | B8         | SBU2        |
| A6         | Dp1         | B7         | Dn2         |
| A7         | Dn1         | B6         | Dp2         |
| A8         | SBU1        | B5         | CC2         |
| A9         | VBUS        | B4         | VBUS        |
| A12        | GND         | B1         | GND         |

DONGGUAN AUGO ELECTRONICS CO.,LTD.

COPYRIGHT RESERVED,PLEASE DO NOT COPY.

|           |                        |                                 |                           |          |           |         |        |
|-----------|------------------------|---------------------------------|---------------------------|----------|-----------|---------|--------|
| PART NAME |                        | CONNECTOR                       |                           | DRAWING  | Y,C,ZHANG | DWG.No. |        |
| PART NO.  |                        | TYPE C 一體成型母座 单排 16PIN L=10.0mm |                           | CHECK    | G.C.Chen  | REV.    | A1     |
| UNIT :    | TOLERANCE<br>OTHERWISE | UP TO 5                         | $\pm 0.2$                 | APPROVAL |           | DATE    |        |
|           |                        | ABOVE 5~30                      | $\pm 0.3$                 |          |           |         |        |
| mm        |                        | ABOVE 30                        | $\pm 0.5$                 | SCALE    | 2:1       | PAGE    | 1 OF 1 |
|           |                        | ANGLE                           | $0^{\circ} \pm 3^{\circ}$ |          |           |         |        |