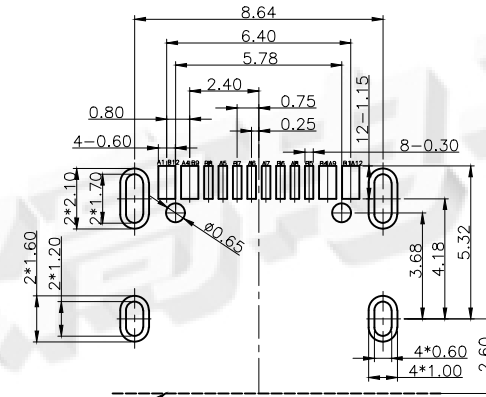
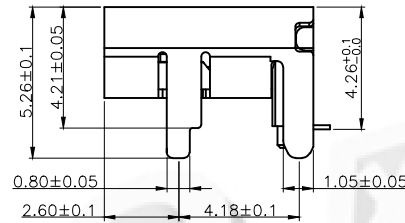
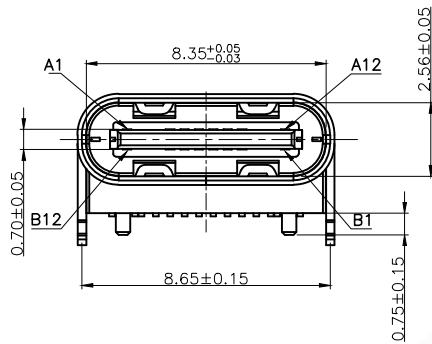
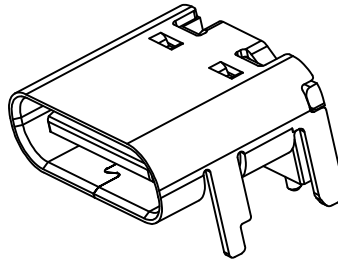
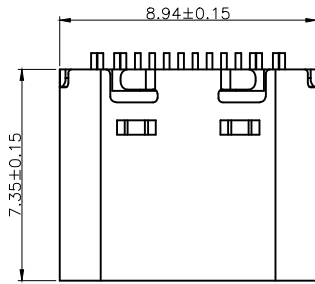
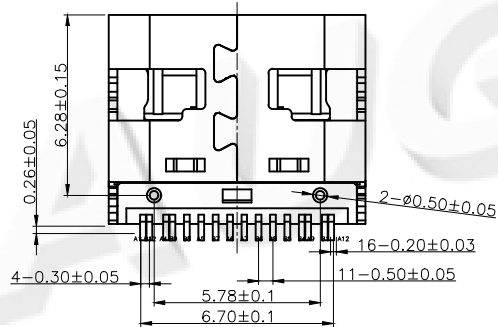


NOTES:
SPECIFICATION:

1. CURRENT RATING: 5A MAX
2. VOLTAGE: 100 VAC
3. TEMPERATURE RANGE: -30 °C ~ 85 °C
4. CONTACT RESISTANCE: 40 MILLIONHM MAX
5. INSULATION RESISTANCE: 100 MEGOHMS MIN.
6. INSERTION FORCE : 5N~20N
7. UNMATING FORCE: 8N~20N
8. DURABILITY: 10,000 CYCLES



CONNECTOR FRONT EDGE
RECOMMENDED P.C.B. LAYOUT
TOLERANCE UNSPECIFIED ±0.05mm



A1	GND	B12	GND	6	SHELL	STAINLESS STEEL	Ni/SN Plated	1PCS
A4	VBUS	B9	VBUS	5	SHIELDING PLATE	STAINLESS STEEL	---	1PCS
A5	CC1	B8	SBU2	4	MD	HIGH TEMPERATURE PLASTIC	BLACK	1PCS
A6	DP1	B7	DN2	3	CONTACT	COPPER ALLOY	Au/Ni Plated	1SET
A8	SBU1	B5	CC2	2	CONTACT	COPPER ALLOY	Au/Ni Plated	1SET
A9	VBUS	B4	VBUS	1	HOUSING	HIGH TEMPERATURE PLASTIC	BLACK	1PCS
A12	GND	B1	GND					
PIN	SIGNAL NAME	PIN	SIGNAL NAME	NO.	DESCRIPTION	MATERIAL	REMARKS	QTY

DONGGUAN AUGO ELECTRONICS CO.,LTD.

COPYRIGHT RESERVED,PLEASE DO NOT COPY.

PART NAME		CONNECTOR		DRAWING	Y,C,ZHANG	DWG.No.	
PART NO.		TYPE C母座16PIN板上SMT垫高1.0		CHECK	G.C.Chen	REV.	A1
UNIT : mm	TOLERANCE	UP TO 5	±0.2	APPROVAL	SCALE	DATE	
	OTHERWISE	ABOVE 5~30	±0.3			PAGE	1 OF 1
		ABOVE 30	±0.5		2:1		
		ANGLE	±3°				