

特性:

一、电气性能: ELECTRICAL

1. 额定电流: 3.0A
2. 接触阻抗: 30 MILLIOHMS MAX
3. 耐电压: 150V AC / 1 mA MAX
4. 绝缘阻抗: 150V DC/100 MEGA OHMS MIN

二、机械性能:

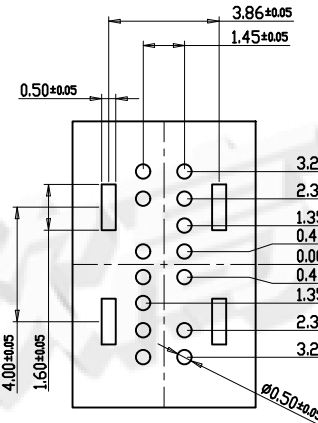
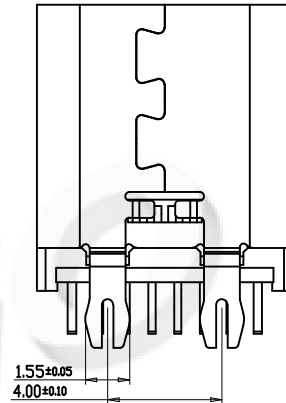
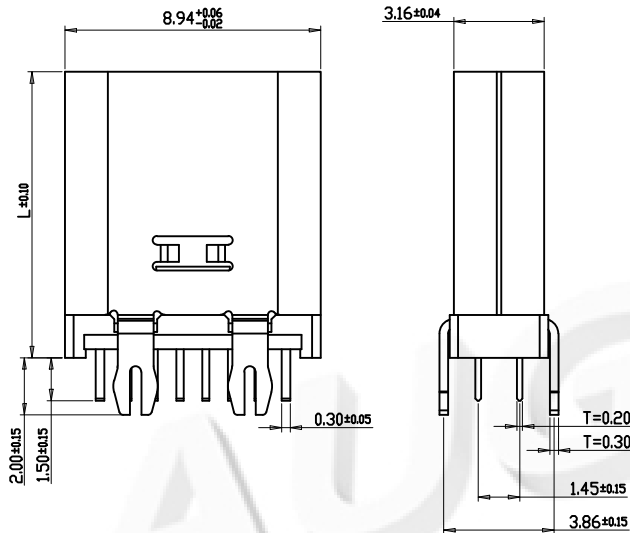
1. 插入力: 5~20N
2. 拔出力: 8~20N
3. 使用寿命: 10000次、拔出力 6~20N

三、材料: MATERIAL

1. 塑胶: LCP E130I黑色 UL94V-0
2. 端子: C1814 T=0.20MM
3. 外壳: SUS304 T=0.30MM
4. 卡勾: SUS304 T=0.15MM

四、电镀: FINISH

1. 端子: 接触点镀金1U~MIN
PIN脚焊接区域镀金1U~MIN.
 2. 外壳: 镀镍80U~MIN (盐雾48H)
- 五、电镀品需做粘锡测试: 粘锡面积达到95%以上。
六、SMT回流焊(峰值260° C±5° C) 不能起泡、熔胶、变色不良(变形在公差范围以内)
七、工作温度: -55° C~+85° C
八、盐雾测试: 通过48H在浓度为5±1%盐水的盐雾测试无生锈现象



RECOMMENDED P.C.B. LAYOUT (T:1.00mm)
TOLERANCE UNSPECIFIED ±0.05mm

| | | | |
|-----|-------|-------|--|
| L = | | MM | |
| | 10.00 | 10.50 | |

| | | | |
|-----|-------------|-----|-------------|
| A1 | GND | B12 | GND |
| A4 | VBUS | B9 | VBUS |
| A5 | CC1 | | |
| A6 | DP1 | B7 | DN2 |
| A7 | DN1 | B6 | DP2 |
| | | B5 | CC2 |
| A9 | VBUS | B4 | VBUS |
| A12 | GND | B1 | GND |
| PIN | SIGNAL NAME | PIN | SIGNAL NAME |

| | | | | |
|-----|-----------------|--------------------------|--------------|------|
| 6 | SHELL | STAINLESS STEEL | NI Plated | 1PCS |
| 5 | SHIELDING PLATE | STAINLESS STEEL | --- | 1PCS |
| 4 | MD | HIGH TEMPERATURE PLASTIC | BLACK | 1PCS |
| 3 | CONTACT | COPPER ALLOY | Au/Ni Plated | 1SET |
| 2 | CONTACT | COPPER ALLOY | Au/Ni Plated | 1SET |
| 1 | HOUSING | HIGH TEMPERATURE PLASTIC | BLACK | 1PCS |
| NO. | DESCRIPTION | MATERIAL | REMARKS | QTY |

DONGGUAN AUGO ELECTRONICS CO.,LTD.

COPYRIGHT RESERVED,PLEASE DO NOT COPY.

| | | | | | | | |
|-----------|----|-------------------------|------------|---------|-----------|---------|--------|
| PART NAME | | CONNECTOR | | DRAWING | Y,C,ZHANG | DWG.No. | |
| PART NO. | | TYPE-C 14PIN 立插鱼叉脚 (B款) | | CHECK | G.C.Chen | REV. | A1 |
| UNIT : | mm | TOLERANCE | UP TO 5 | ±0.2 | APPROVAL | DATE | |
| | | OTHERWISE | ABOVE 5~30 | ±0.3 | | | |
| | | | ABOVE 30 | ±0.5 | SCALE | PAGE | 1 OF 1 |
| | | | ANGLE | ±3° | | | |