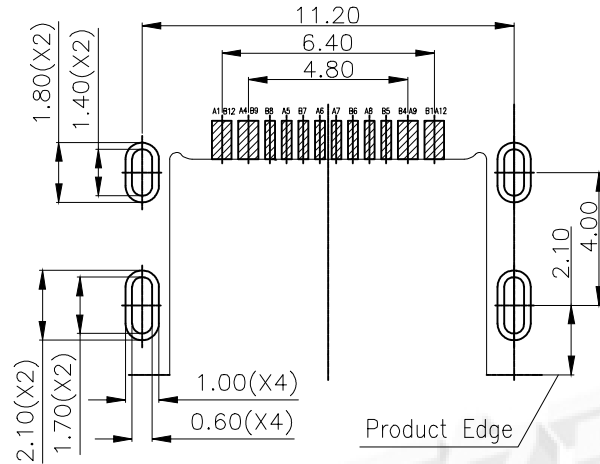
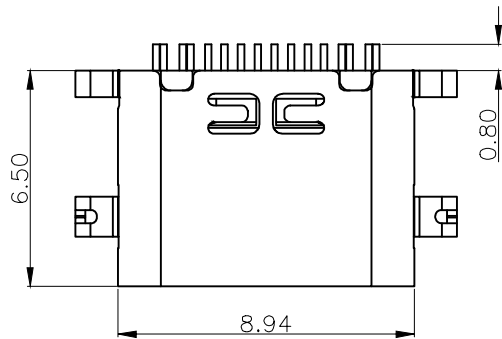
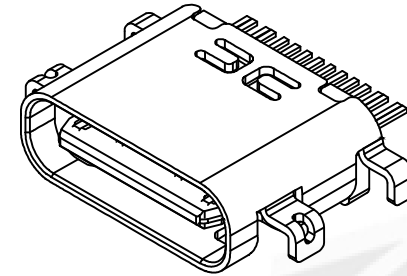


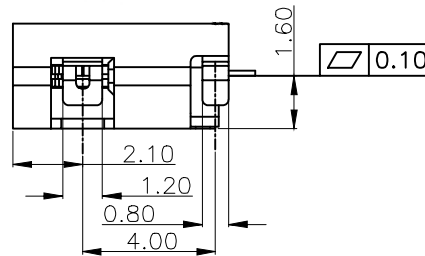
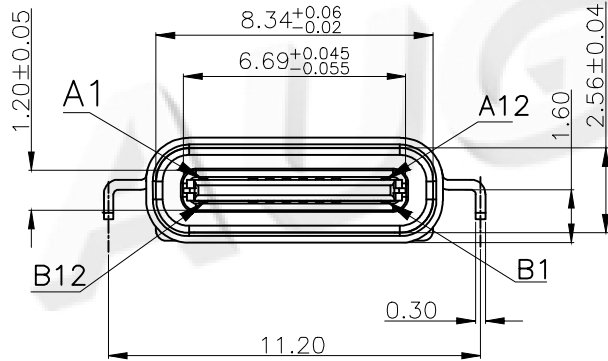
A1	GND	B12	GND
A4	VBUS	B9	VBUS
A5	CC1	B8	SBU2
A6	DP1	B7	DN2
A7	DN1	B6	DP2
A8	SBU1	B5	CC2
A9	VBUS	B4	VBUS
A12	GND	B1	GND
PIN	SIGNAL NAME	PIN	SIGNAL NAME



RECOMMENDED P.C.B. LAYOUT
TOLERANCE UNSPECIFIED ±0.05mm



- NOTES:
SPECIFICATION:
1. CURRENT RATING: 5A MAX
 2. VOLTAGE: 100 VAC
 3. TEMPERATURE RANGE: -30 °C ~ 85 °C
 4. CONTACT RESISTANCE: 40 MILLIONHM MAX
 5. INSULATION RESISTANCE: 100 MEGOHMS MIN.
 6. INSERTION FORCE : 5N~20N
 7. UNMATING FORCE: 8N~20N
 8. DURABILITY: 10,000 CYCLES



NO.	DESCRIPTION	MATERIAL	REMARK
4	SHIELDING PLATE	STAINLESS STEEL	-----
3	SHELL	STAINLESS STEEL	NI Palated
2	TERMINAL	HIGH CONDUCTIVITY COPPER	Au 1u*
1	HOUSING	HIGH TEMPERATURE PLASTIC	UL 94V-0

DONGGUAN AUGO ELECTRONICS CO.,LTD.

COPYRIGHT RESERVED,PLEASE DO NOT COPY.

PART NAME		CONNECTOR		DRAWING	Y,C,ZHANG	DWG.No.	
PART NO.		TYPE-C 2.0 16PIN沉板1.6 3MD		CHECK	G.C.Chen	REV.	A1
UNIT : mm	TOLERANCE	UP TO 5	±0.2	ANGLE	APPROVAL	DATE	
	OTHERWISE	ABOVE 5~30	±0.3				